



CVR - CO2 VAPORIZING REGULATOR

CVR regulator is designed to use in applications requiring CO2 gas vaporized from liquid enclosed flow meter to adjust flow rate with excellent accuracy, sensitivity, stable outlet pressure, applied for welding technology and medium flow gas system.

DESIGN FEATURES

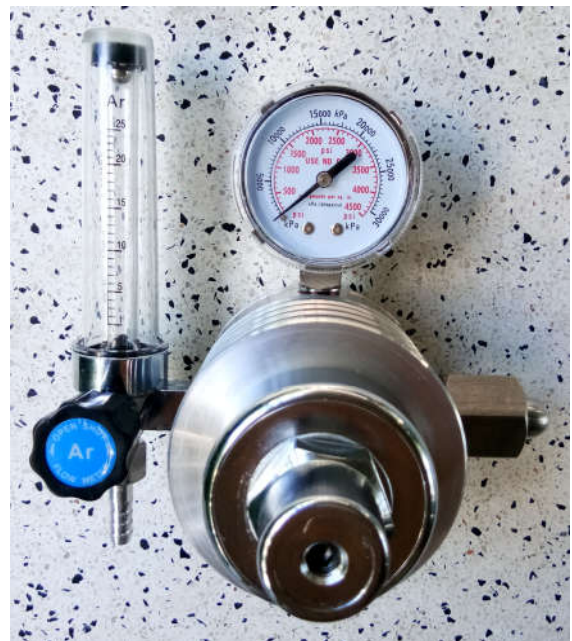
- One-stage pressure regulator
- Inlet and outlet ports: 1/4 In. FNPT
- Enclosed inlet gauge, outlet flow meter and safety valve
- High pressure regulator
- Excellent set point stability

MATERIALS

- Body: Alumium alloy, SUS304
- Pressure gauge: SUS304, Brass
- Safety valve: Brass
- Diaphragm: EPDM
- Range spring: Zinc-plated steel
- Seat: PCTFE

SPECIFICATION

- Maximum inlet pressure: 3000 psig (207 bar)
- Outlet pressure: @ 70 psig (5 bar)
- Maximum operating temperature: -4 °F - 176 °F (-20 °C - 80 °C)

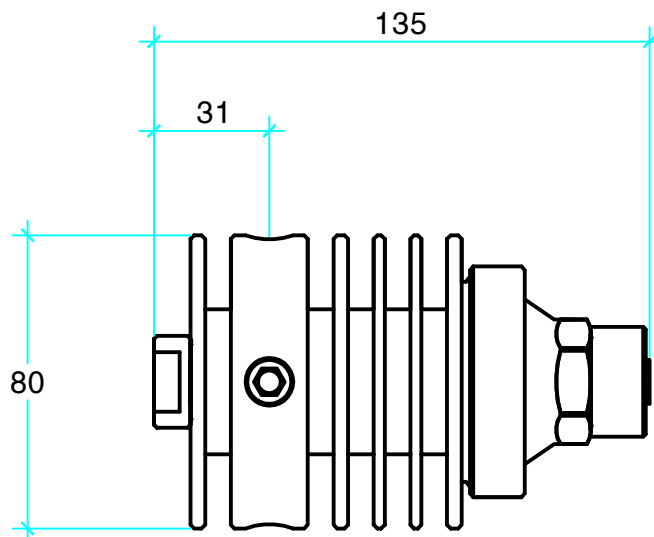
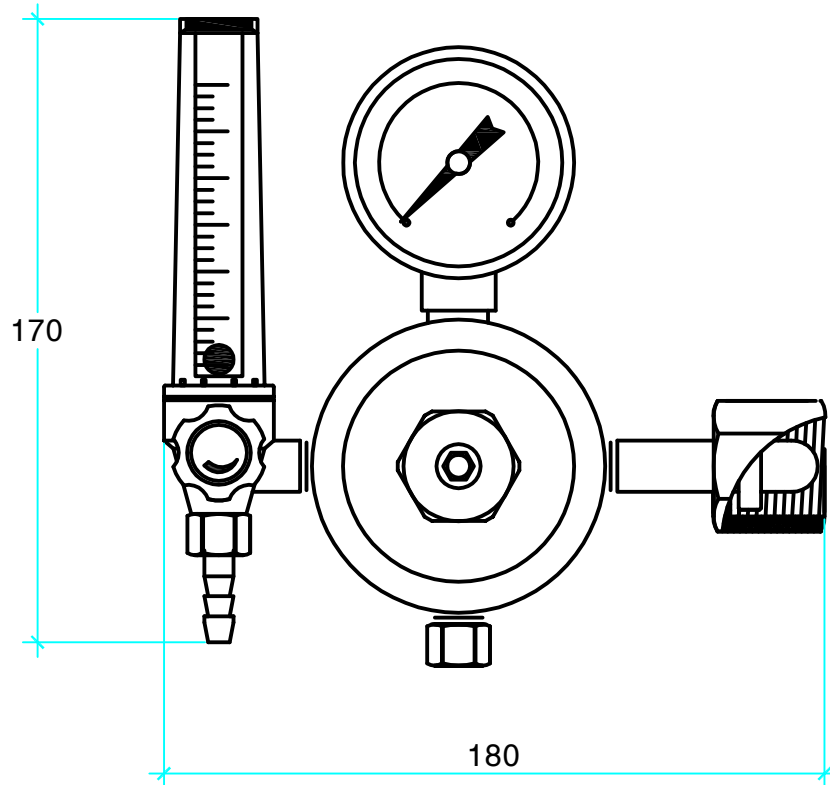


ADVANTAGES

- *Not use electric source*
- *Use continues in 8 hours*
- *No need to set outlet pressure*
- *Poppet and seat are suitable for CO2*



CVR - CO₂ VAPORIZING REGULATOR



Connection standard:

- Inlet and outlet ports: 1/4 In. FNPT
- Inlet fitting: G 5/8" connector (for QF-2A or QF-2C valve)
- Outlet fitting: 8mm pin